

DH-IPC-HDB5200/5202

2 Megapixel Full HD Water-Proof & Vandal-Proof Network Dome Camera



Features

- 1/2.8" 2Megapixel progressive scan Exmor CMOS
- H.264 & MJPEG dual-stream encoding
- Max 25/30fps@1080P(1920×1080)
- DWDR, Day/Night(ICR), 3DNR, Auto iris, AWB, AGC, BLC
- Multiple network monitoring: Web viewer, CMS(DSS/PSS) & DMSS
- 2.7~12mm varifocal lens (5200)
- 3~9mm varifocal motorized lens (5202)
- Built-in 1/1 alarm in/out
- Micro SD memory, IP66, IK10, PoE

DH-IPC-HDB5200/5202

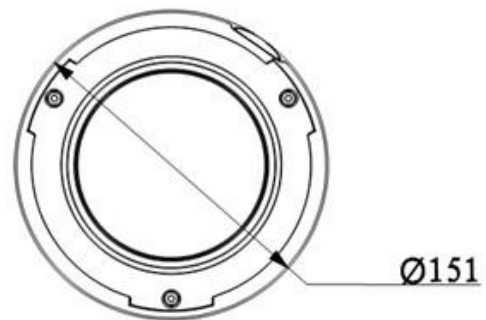
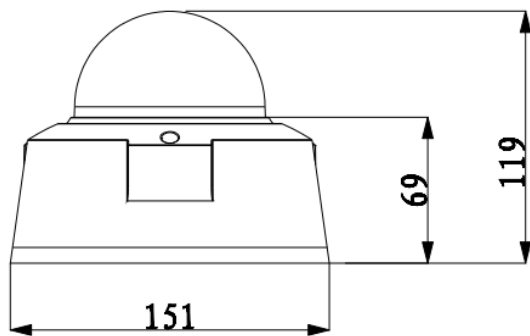
Technical Specifications

Model	DH-IPC-HDB52 00P	DH-IPC-HDB52 02P	DH-IPC-HDB52 00N	DH-IPC-HDB52 02N
Camera				
Image Sensor	1/2.8" 2Megapixel progressive scan Exmor CMOS			
Effective Pixels	1920(H)x1080(V)			
Scanning System	Progressive			
Electronic Shutter Speed	Auto/Manual 1/3~1/10000		Auto/Manual 1/4~1/10000	
Min. Illumination	0.1lux/F1.4(color), 0.01lux/F1.4(B/W)			
S/N Ratio	More than 50db			
Video Output	1 Port			
Camera Features				
Max. IR LEDs Length	N/A			
Day/Night	Auto(ICR)/Color/B/W			
Backlight Compensation	BLC/HLC/DWDR			
White Balance	Auto			
Gain Control	Auto/Manual			
Noise Reduction	3D			
Privacy Masking	Up to 4 areas			
Lens				
Focal Length	2.7~12mm	3~9mm motorized	2.7~12mm	3~9mm motorized
Max Aperture	F1.4	F1.2	F1.4	F1.2
Focus Control	Manual	Auto	Manual	Auto
Angle of View	H: 100°(Wide) ~30°(Tele)	H: 103.9°(Wide) ~ 34.1°(Tele)	H: 100°(Wide) ~30°(Tele)	H: 103.9°(Wide) ~ 34.1°(Tele)
Lens Type	Manual/Auto Iris (DC)	Motorized /Auto Iris(DC)	Manual/Auto Iris (DC)	Motorized /Auto Iris(DC)
Mount Type	Board-in Type			
Video				
Compression	H.264/ MJPEG			
Resolution	1080P(1920×1080)/720P(1280×720) / D1(704×576) CIF(352×288)		1080P(1920×1080)/720P(1280×720)/ D1(704×480) /CIF(352×240)	
Frame Rate	Main Stream	1080P/720P(1 ~ 25/30fps)		
	Sub Stream	D1/CIF(1 ~ 25/30fps)		
	Third Stream	720P(1 ~ 25/30fps)		
Bit Rate	H.264: 32K ~ 8192Kbps			
Audio				
Compression	G.711a /G.711u /PCM			
Interface	1/1 channel In/Out			
Network				
Ethernet	RJ-45 (10/100Base-T)			
Wi-Fi	N/A			

DH-IPC-HDB5200/5202

Protocol	IPv4/IPv6, HTTP, HTTPS, SSL, TCP/IP, UDP, UPnP, ICMP, IGMP, SNMP, RTSP, RTP, SMTP, NTP, DHCP, DNS, PPPOE, DDNS, FTP, IP Filter, QoS, Bonjour			
ONVIF	ONVIF Profile S			
Max. User Access	20 users			
Smart Phone	iPhone, iPad, Android, Windows Phone			
Auxiliary Interface				
Memory Slot	Micro SD, Max 64GB			
RS485	N/A			
Alarm	1/1 channel In/Out			
PIR Sensor Range	N/A			
General				
Power Supply	AC24V/DC12V, PoE(802.3af)			
Power Consumption	Max 3W	Max 6W	Max 3W	Max 6W
Working Environment	-30°C~+60°C, Less than 90% RH			
Ingress Protection	IP66			
Vandal Resistance	IK10			
Dimensions	Φ151mm×119mm			
Weight	1.25kg			

Dimensions (mm)



DH-IPC-HDB5200/5202

Accessories (optional)

				
PFA100	PFB300S	PFA120	PFA150	PFA151

Dahua Technology Co., Ltd.

1187 BinAn Road, Binjiang District, Hangzhou, China

Tel: +86-571-87688883

Fax: +86-571-87688815

Email: overseas@dahuatech.com

www.dahuatechsecurity.com

*Design and specifications are subject to change without notice.

© 2013 Dahua Technology Co., Ltd.